

SELF PROPELLED SCREEDS

A vibrating screed is a frequently used tool for striking off and compacting concrete floors, beams, walkways, etc., to obtain a smooth surface finish, good consolidation and strength of concrete. Penetration up to 6 to 8" can be achieved.

Screeds are frequently "homemade" by the user. By following a few simple rules they can be made almost "self-propelled", only needing a guiding hand instead of having to be pulled or pushed.



Model CCF-5000 Silent Pneumatic Vibrator on 10 ft. screed.

To make the screed "self-powered" mount the vibrator 2" off the centerline and make sure the vibrator rotation is counter clockwise. Another simple screed made by 2" tubing is shown on next page.

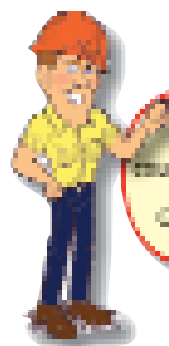
DID YOU KNOW?

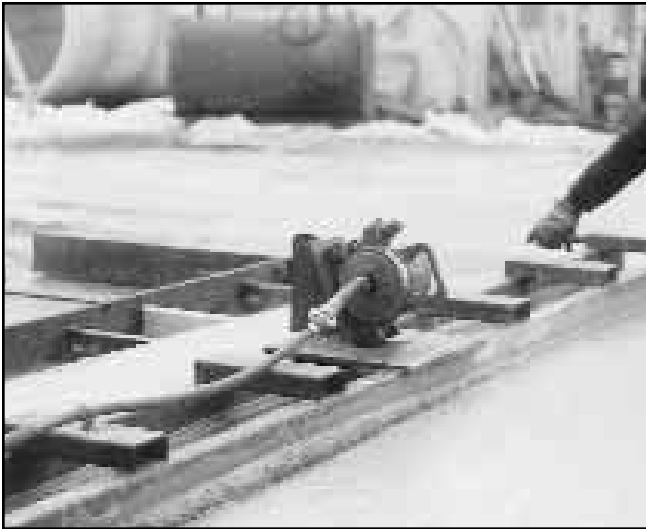
VIBCO Silent Turbine vibrators can significantly reduce the noise level at your near jobsite.



DID YOU KNOW?

VIBCO Silent Turbine vibrators reduce the noise level at your jobsite. Contact your distributor or call us at 800-633-0032 or go online to www.vibco.com to stock & visit today!





12' Screed with **SVRL** Air Vibrator, made from 2 x 4" steel tubing.

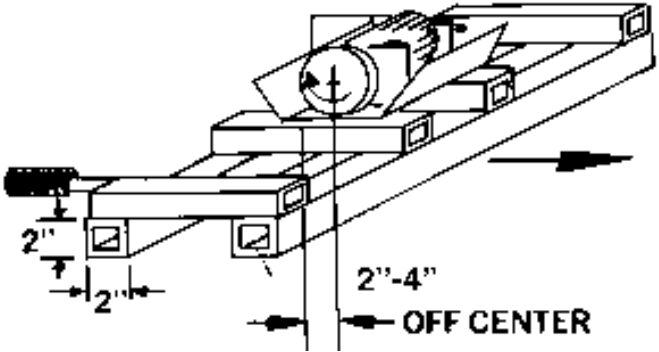


Model 2P-800 on 8' screed, made from a 6" channel iron with adjustable rods to minimize the bowing of the screed.



BVS-510FS Turbine Vibrator on 4" screed, made from 4" channel iron.

Self-propelled feature is accomplished by mounting vibrator 2 to 4" of center. If you slot holes screed travel rate can be regulated by moving away from or towards center of screed. **NOTE:** Vibrator shaft must rotate as shown in sketch.



Screed made from 2" x 4" steel tubing and **Model 2P-450 Electric Vibrator**.

VIBRATION SCREED GUIDE

Length	Electric Vibrator	Pneumatic Vibrator
4-6'	US-900 US-1600 2P-200	BVS-510 SVR-4000 CCF-2000
6-8'	2- US-1600 2P-450	2- BVS-510 BVS-570 SVR-4000, CCF-2000
8-10'	2P-800	SVRL-5500, CCF-5000 2- SVR-4000, 2- CCF-2000

US-100 ON CONCRETE BULLFLOAT FOR MAKING SIDEWALK

PROBLEM: Exposed aggregate sidewalk came out uneven.

SOLUTION: US-100 vibrator with speed adjuster was mounted on concrete float.

CUSTOMER COMMENT: We now get an even spread of aggregate, our sidewalks come out beautifully.



Embedding the rock



Finished sidewalk after it is washed.

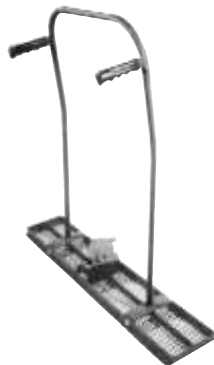
OTHER SCREED APPLICATIONS:



Screed with Model 50-1-1/4 pneumatic piston vibrator



Screed using a 2 x 4 and a pneumatic VS-350 vibrator



46" Steel Grid Tamper with expanded, round hole or diamond steel mesh with pneumatic turbine



TG-1, 12 x 18" with 2" Pneumatic Piston Vibrator



TG-2, 12 x 18" shown with **US-450** (option **US-900** Electric Vibrator)